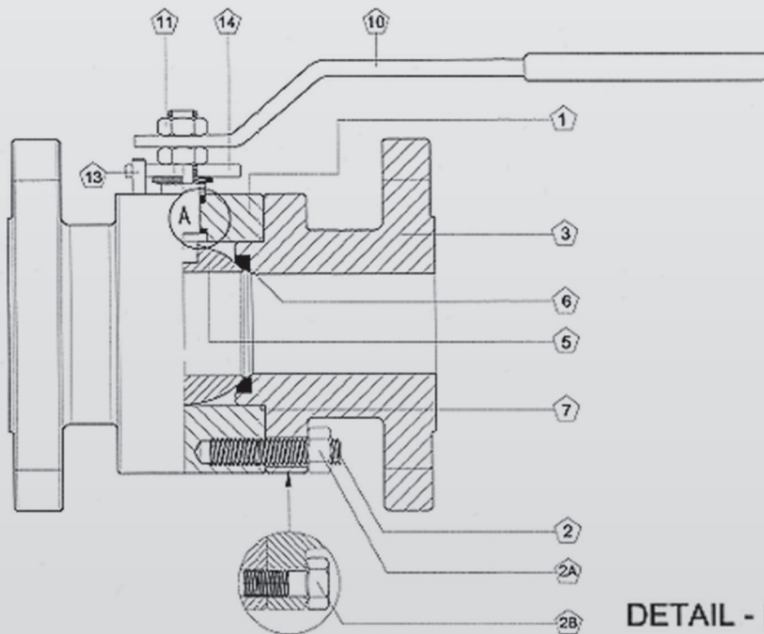
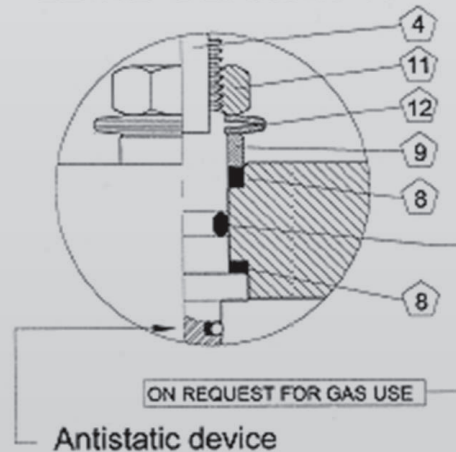


# AI - 64 SB - 150 RF

VALVOLA A SFERA SPLIT BODY ANSI 150 RF, SCARTAMENTO LONG PATTERN  
SLIT BODY BALL VALVE ANSI 150 RF LONG PATTERN



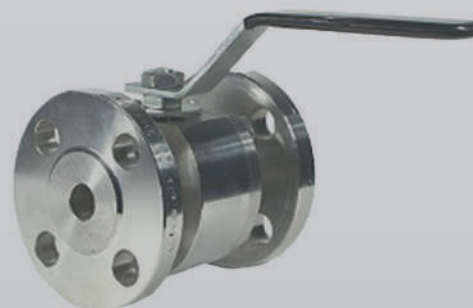
DETAIL - DETTAGLIO A



## BASIC DESIGN STANDARDS

1 Body	ASTM A 105 SS. F 316
2 Bolt	Acciaio zincato *
2A Bolt	Acciaio zincato *
2B Bolt	Acciaio zincato *
3 Lateral	ASTM A 105 SS. F 316
4 Stem	SS. F 316 SS. F 316
5 Ball	SS. F 304/316 SS. F 316
6 Seat	PTFE / RPTFE PTFE / RPTFE
7 Body Seal	RPTFE RPTFE
8 Stem Seals	RPTFE RPTFE
9 Gland	Inox
10 Lever	Zinc Plated CS
11 Lever Nut	Zinc Plated CS
12 Socket Spring	Zinc Plated CS
13 Stop Pin	Zinc Plated CS
14 Stop Plate	Zinc Plated CS

\* A richiesta: B7, B7M, 2H, B8, B8M



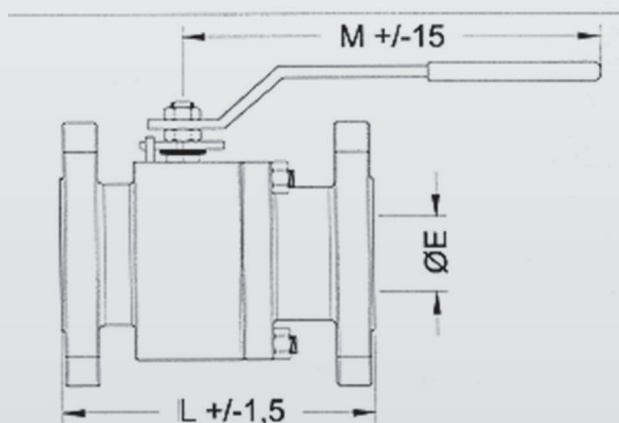
## STANDARD DESCRIPTION

- Split body imbullonata flangiata ANSI #150

**AUDCO ITALIANA**  
*Your Valve Specialist*

AUDCO ITALIANA srl  
Headquarter and plant  
Via Carlo Dell'Acqua, 1 | 20027 Rescaldina (MI) - Italy  
Tel. +39.0331.1561323 | Fax +39.0331.1561327  
info@audco.it | www.audco.it

# AI - 64 SB - 150 RF



## FULL BORE

DN	15	20	25	32	40	50	65	80	100	125*	150*
NPS	1/2"	3/4"	1"	1" 1/4	1" 1/2	2"	2" 1/2	3"	4"	5"	6"
$\varnothing E$	14	19	25	32	38	48	65	76	95	119	145
L	108	117	127	140	165	178	190	203	229	254	267
M	150	185	185	280	280	280	380	380	480	480	480
Kg	2,5	4	6	8	13	17	22	30	40	50	71

3 PIECES CONSTRUCTION

## REDUCED BORE

DN	40	50	80	100	150	200	250
NPS	1" 1/2 x 1"	2" x 1" 1/2	3" x 2"	4" x 3"	6" x 4"	8" x 6"	10" x 6"
$\varnothing E$	25	38	48	76	95	145	145
L	165	178	203	229	267	458	534
M	280	280	380	480	480	480	480

FROM DN 200 GEARBOX RECOMMENDED

- On request face to face ANSI B16.10 long pattern
- FIRE SAFE execution API 607
- ANTISTATIC design
- TA-LUFT execution / VDI 2440
- Execution for GAS Service
- Degrassing for OXYGEN service
- Lever Extension for valve insulation
- Locking Device
- Ends RTJ/FF/LG
- Execution on Customer request

MADE IN ITALY



**AUDCO ITALIANA**  
Your Valve Specialist

AUDCO ITALIANA srl  
Headquarter and plant  
Via Carlo Dell'Acqua, 1 | 20027 Rescaldina (MI) - Italy  
Tel. +39.0331.1561323 | Fax +39.0331.1561327  
info@audco.it | www.audco.it