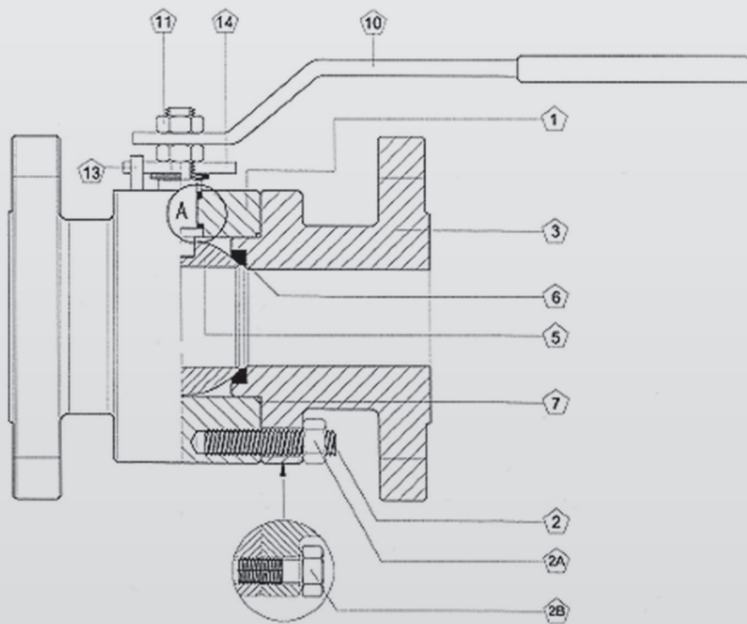


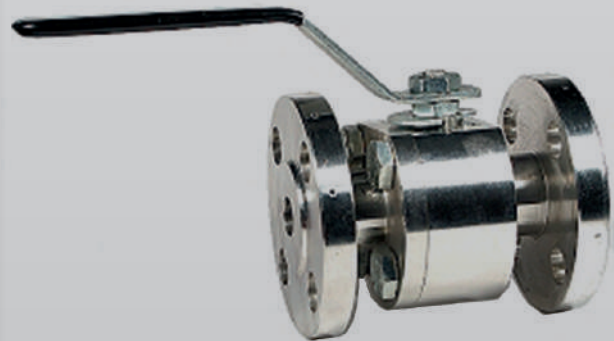
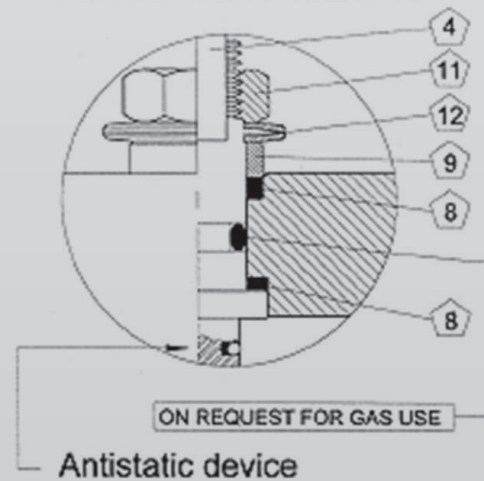
# AI - 70 SB 600RF

VALVOLA A SFERA SPLIT BODY ANSI 600RF

SPLIT BODY BALL VALVE ANI 600 RF



DETAIL - DETTAGLIO A



## BASIC DESIGN STANDARDS

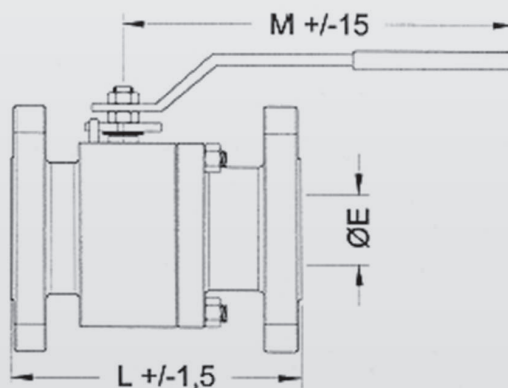
1 Body	ASTM A 105 SS. F 316
2 Bolt	Zinc Plated CS *
2A Bolt	Zinc Plated CS *
2B Bolt	Zinc Plated CS *
3 Lateral	ASTM A 105 SS. F 316
4 Stem	SS. F 316 SS. F 316
5 Ball	SS. F 304/316 SS. F 316
6 Seat	PTFE / RPTFE PTFE / RPTFE
7 Body Seal	RPTFE RPTFE
8 Stem Seals	RPTFE RPTFE
9 Gland	Inox
10 Lever	Zinc Plated CS
11 Lever Nut	Zinc Plated CS
12 Socket Spring	Zinc Plated CS
13 Stop Pin	Zinc Plated CS
14 Stop Plate	Zinc Plated CS

\* A richiesta: B7, B7M, 2H, B8, B8M

## STANDARD DESCRIPTION

- Split body imbullonata flangiata ANSI #600

## AI - 70 SB 600RF



## FULL BORE

DN	15	20	25	32	40	50	65	80	100
NPS	1/2"	3/4"	1"	1" 1/4	1" 1/2	2"	2" 1/2	3"	4"
Ø E	14	19	25	32	38	48	65	76	95
L	165	190	216	228.5	241.5	292	330	355.5	432
M	150	185	185	280	280	280	380	380	380
Kg	4,5	5,5	10	11,5	18,5	23	32	40	85

## REDUCED BORE

DN	40	50	65	80	80	100	125	150
NPS	1" 1/2/2"	2"x1" 1/2	2" 1/2/2"	3" /2" 1/2	3" /2"	4" /3"	5" /4"	6" /4"
Ø E	25	38	48	65	48	76	95	95
L	241,5	292	330	355,5	355,5	435	508	559
M	270	270	270	270	355	460	460	460

- On request face to face ANSI B16.10 long pattern
- FIRE SAFE execution API 607
- ANTISTATIC design
- TA-LUFT execution / VDI 2440
- Execution for GAS Service
- Degrassing for OXYGEN service
- Lever Extension for valve insulation
- Locking Device
- Ends RTJ/FF/LG
- Execution on Customer request

MADE IN ITALY



CE PED 2014/68/EU

# AUDCO ITALIANA

*Your Valve Specialist*

AUDCO ITALIANA srl  
Headquarter and plant

Via Carlo Dell'Acqua, 1 | 20027 Rescaldina (MI) - Italy  
Tel. +39.0331.1561323 | Fax +39.0331.1561327  
info@audco.it | www.audco.it