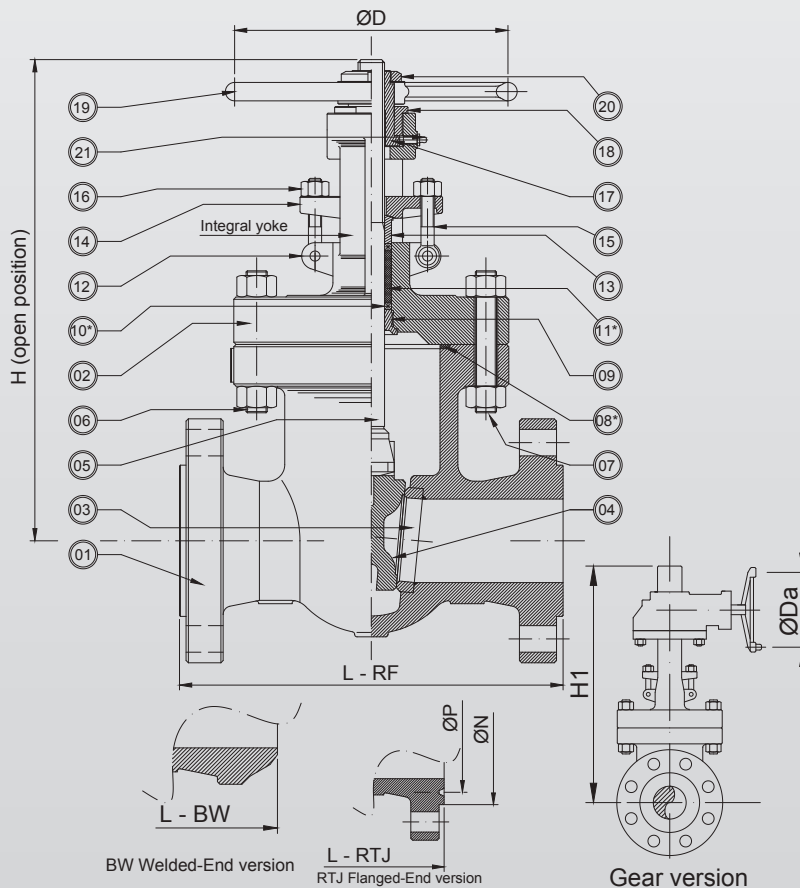


CAST STEEL GATE VALVES



CAST STEEL GATE VALVES CLASS 1500 #

1500 Lbs

BASIC DESIGN STANDARDS

Basic Design	API 600 / ANSI B16.34
Face to Face	
Dimension	ANSI B16.10
Flanges	Up to 24" ANSI B16.5 From 26" MSS SP44 ANSI B16.47 API 605
Butt-weld ends	ANSI B16.25
Testing	API 598

STANDARD DESCRIPTION

- Outside Screw & Yoke
- Bolted Bonnet with integral yoke up to Ø 6"
- Bolted Bonnet with bolted yoke from Ø 8"
- Welded Seat Ring
- Flexible Wedge from Ø 2" and greater
- Available with Gear Operator
- Special features according to Customer's requirement



TEST PRESSURE TO API 598 Psi/bar

Shell (water)	Seat (water)	Seat (air)
5630 / 388	4120 / 284	80 / 5.5

AUDCO ITALIANA
Your Valve Specialist

AUDCO ITALIANA srl
Headquarter and plant
Via Carlo Dell'Acqua, 1 | 20027 Rescaldina (MI) - Italy
Tel. +39.0331.1561323 | Fax +39.0331.1561327
info@audco.it | www.audco.it

CAST STEEL GATE VALVES

		TRIM NUMBER AS PER API 600								
No	Part Name	1	2	8	5	9	10	12	16	
03	Seat Ring	410	304	STL Gr.6	STL Gr.6	MONEL	316	STL Gr.6	STL Gr.6	
04	Wedge			410	STL Gr.6			STL Gr.6		
05	Stem			410	410			316	316	316
09	Stem Backseat									
	Lantern Ring									
13	Gland									

BILL OF MATERIALS STANDARD ACCORDING TO ASTM										
		Carbon Steel		Alloy Steel		Stainless Steel				
No	Part Name	WCB	LCB	WC6	C5	CF8	CF8M	CF3	CF3M	
01	Body	A216 WCB	A352LCB	A217WC6	A217 C5	A351 CF8	A351 CF8M	A351 CF3	A351 CF3M	
02	Bonnet	A216 WCB	A352 LCB	A217 WC6	A217 C5	A351 CF8	A351 CF8M	A351 CF3	A351 CF3M	
06	Bonnet Bolts	A193-B7	A320-L7	A193-B16		A193-B8				
07	Bonnet Nuts	A194-2H	A194-4	A194-4		A194-8				
08	Body / Bonnet Gasket	304 SS + Graphite inhibited								
10-11	Stem Packing	Braided and Flexible Graphite								
12	Eyebolts Pin	A276-410								
14	Gland Flange	A216 WCB	A352 LCB	A217 WC6	A217 C5	A351 CF8	A351 CF8M	A351 CF3	A351 CF3M	
15	Gland Eyebolts	A193-B7	A320-L7	A193-B16		A193-B8				
16	Gland Nuts	A194-2H	A194-4	A194-4		A194-8				
17	Stem Nut	ASTM A439-D2								
18	Retaining Nut	Carbon Steel		410						
19	Hand Wheel	Ductile Iron or Steel								
20	Hand Wheel Nut	Carbon Steel				410				
21	Grease Nipple	Stainless Steel								

SIZE		DIMENSION in mm						WEIGHT	
Inches	mm	L _(RF)	L _(BW)	H Close	H1	Ø D	Ø Da	Kg (HANDWHEEL)	Kg (GEAR OPERATOR)
2"	50	368	368	397	-	250	-	117	-
3"	80	470	470	513	-	350	-	240	-
4"	100	546	546	588	608	500	-	337	365
6"	150	705	705	810	830	560	560	650	680

For Face-to-Face dimension L (RTJ), add +3 mm from size 2" up to 18" add +6 mm for size 20", add +10 mm for sizes 22" and 24"

MADE IN ITALY



CE PED 2014/68/EU

AUDCO ITALIANA

Your Valve Specialist

AUDCO ITALIANA srl
Headquarter and plant

Via Carlo Dell'Acqua, 1 | 20027 Rescaldina (MI) - Italy
Tel. +39.0331.1561323 | Fax +39.0331.1561327
info@audco.it | www.audco.it